

Steeple Data

Base Width: 6'-0"
 Steeple Height: 32'-0"
 Weight: 1050 lb.
 Three-piece Steeple unit

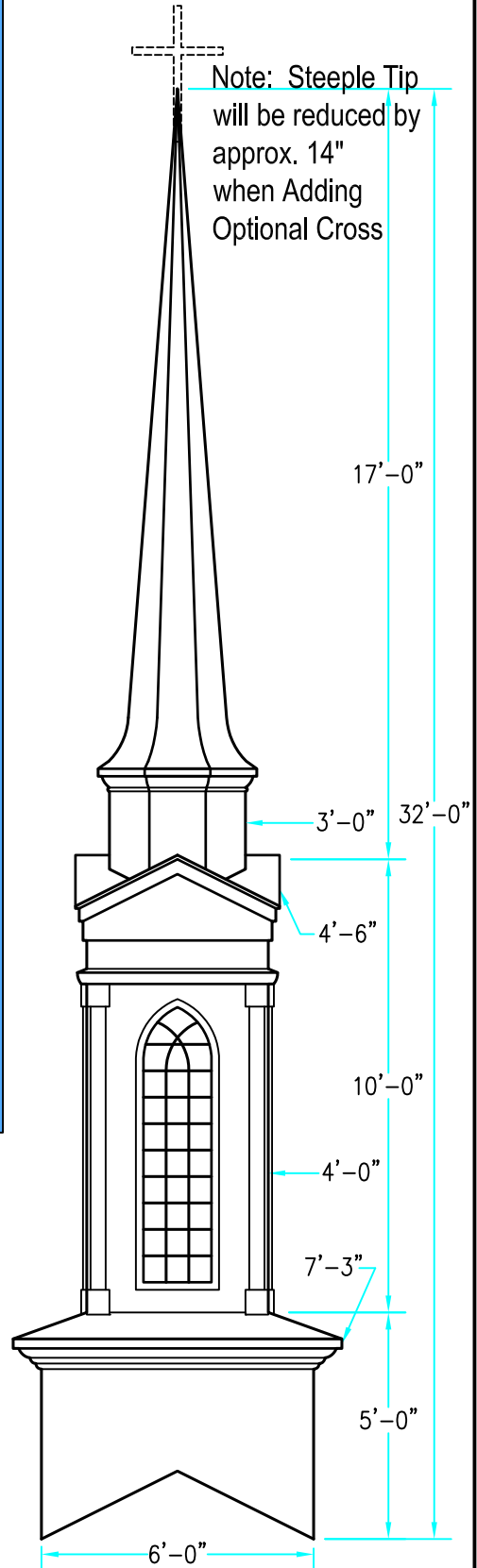
Available Options:

- 3' or 4' Aluminum Cross
- 8" Ball
- Gothic Simulated Louvers
- Gothic Krinklglas Windows
- Lightning Protection

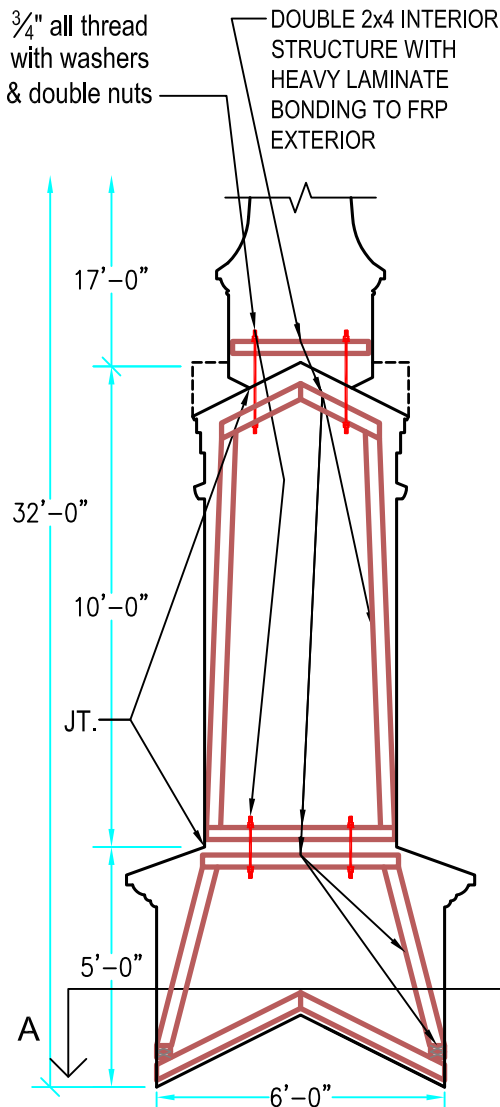
ALL STEEPLES MUST BE MOUNTED ON A COMPLETED WATERPROOF ROOF SYSTEM AS LONG-TERM INSURANCE AGAINST LEAKAGE .



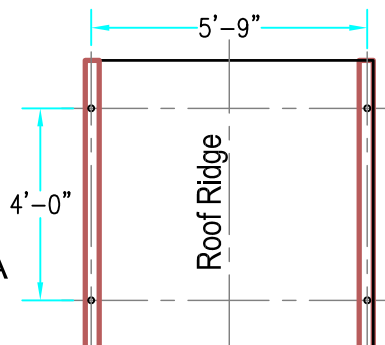
3-D VIEW



ELEVATION



INTERIOR SUPPORT DETAIL



PLAN VIEW A-A

Drawings are property of Fiberglass Unlimited, Inc.; Dimensions may change slightly to accommodate manufacturing.

STEEPLES
Model # 468

FIBERGLASS UNLIMITED, INC.

Phone: 1-800-837-6211 Fax: 334-863-7975 Email: info@FiberG.com

183 Industrial Ave.
 Roanoke, Alabama 36274