

### Steeple Data

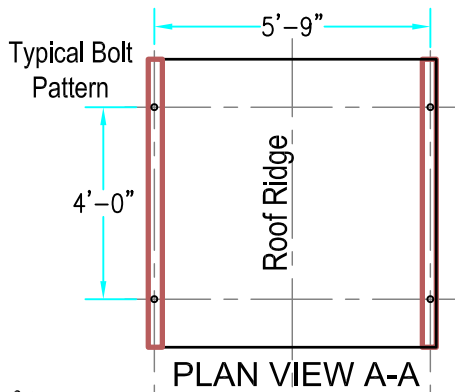
Base Width: 6'-0"  
 Steeple Height: 31'-0"  
 Weight: 1100 lb.  
 Three-piece Steeple unit

#### Available Options:

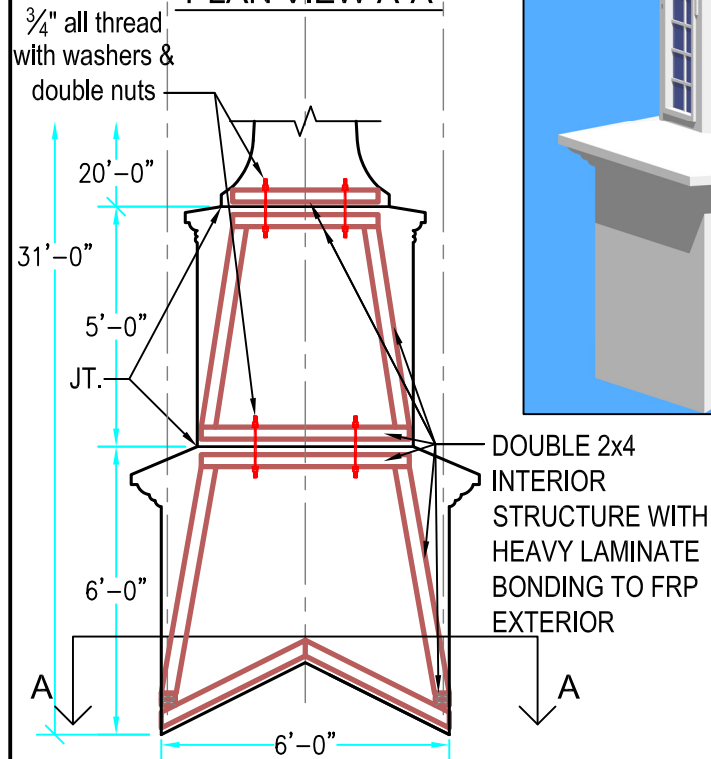
- 3' or 4' Aluminum Cross
- Lightning Protection
- Krinkleglass Windows
- Round Venting Louvers

ALL STEEPLES MUST BE MOUNTED ON A COMPLETED WATERPROOF ROOF SYSTEM AS LONG-TERM INSURANCE AGAINST LEAKAGE .

Note: Steeple Tip will be reduced by approx. 14" when Adding Optional Cross

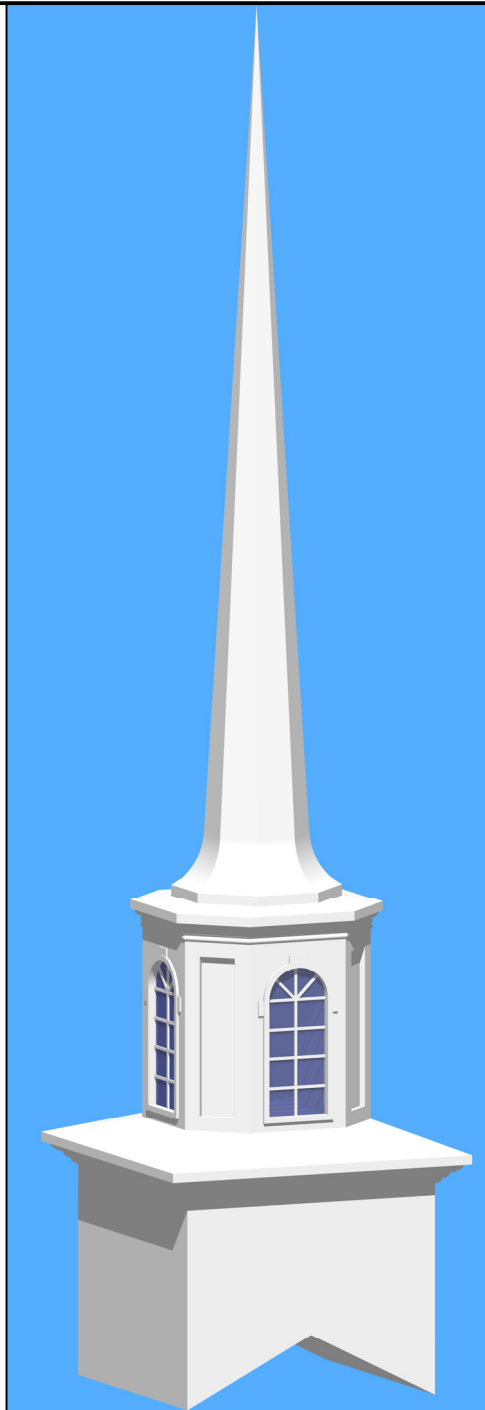


PLAN VIEW A-A

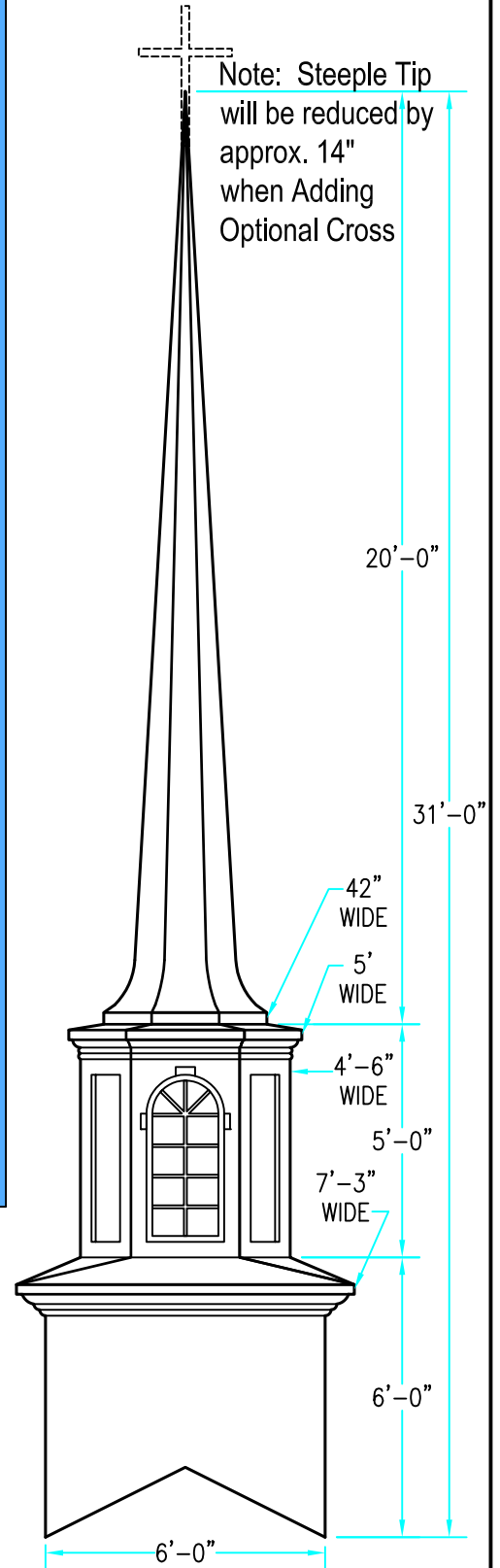


INTERIOR SUPPORT DETAIL

Scale: 1/4" = 1'-0"



3-D VIEW



ELEVATION

Scale: 1/4" = 1'-0"

Drawings are property of Fiberglass Unlimited, Inc.; Dimensions may change slightly to accommodate manufacturing.

**STEEPLES**  
**Model # 455**

**FIBERGLASS UNLIMITED, INC.**

Phone: 1-800-837-6211 Fax: 334-863-7975 Email: info@FiberG.com

183 Industrial Ave.  
 Roanoke, Alabama 36274