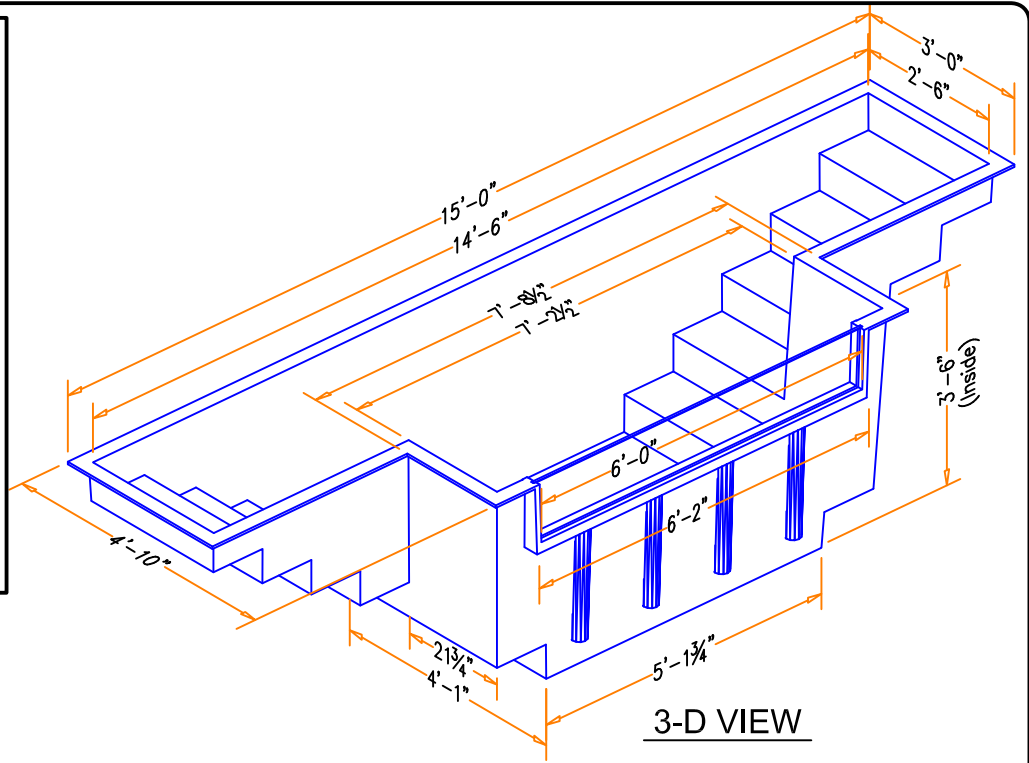


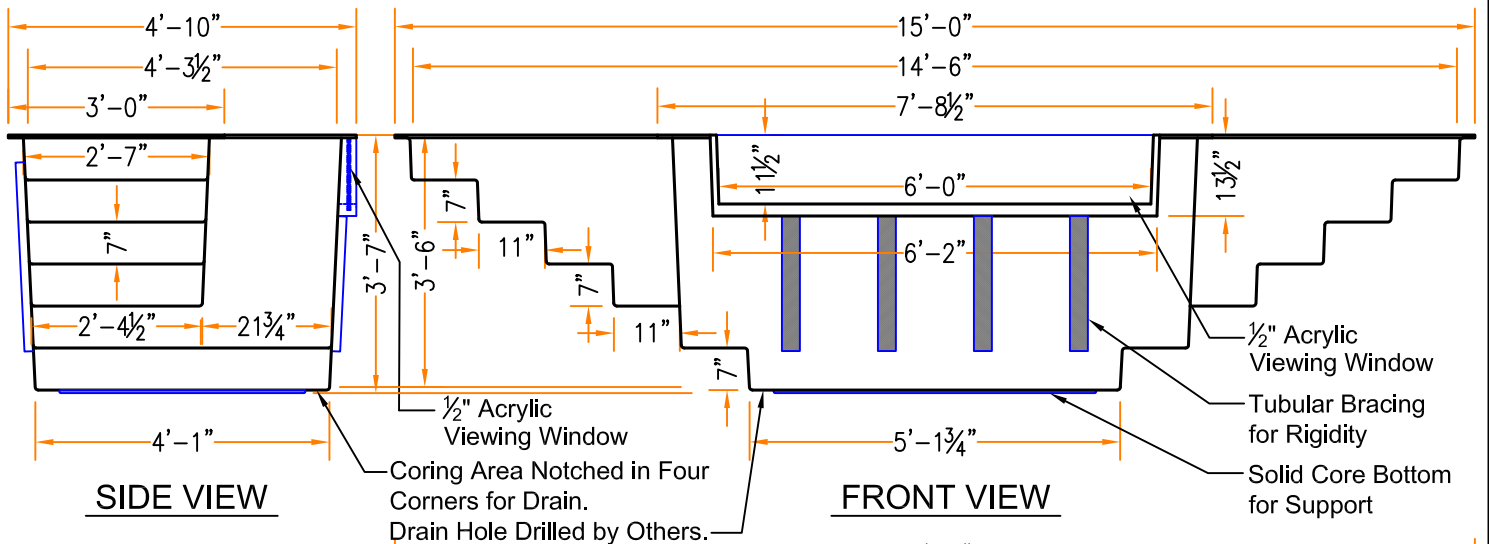
Baptistry Info.

Width: 4'-10"
 Length: 15'-0"
 Depth: 3'-6" Inside
 Water Capacity: 900 gal.
 Unit Weight: 410 lb. Dry
 Recommended Heater:
 PBH 10 kw / EZ Fill
 Little Giant 11kw / 3000 Auto
 Available In Blue, White or Bone

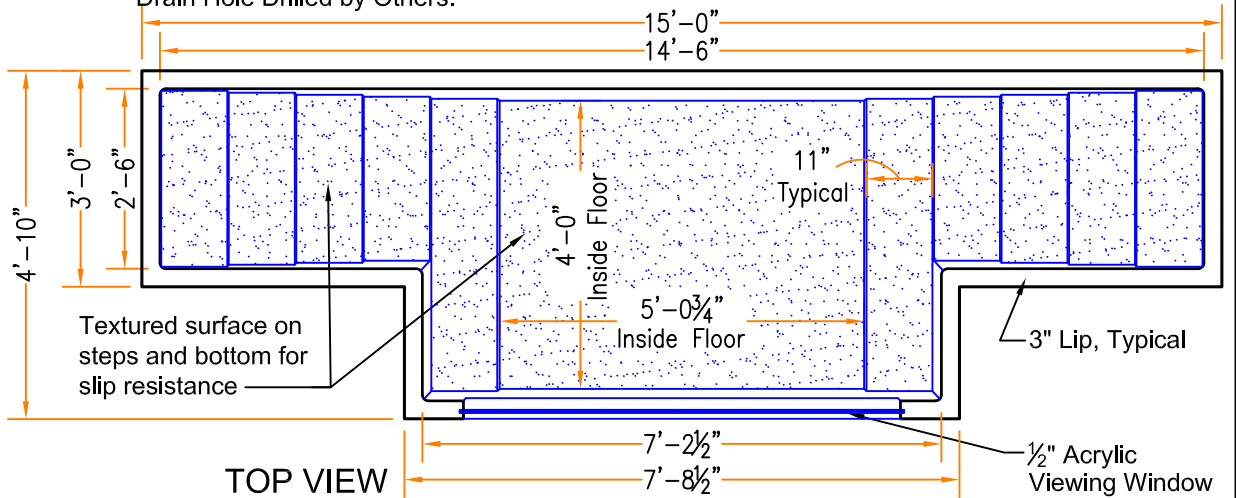
Window is Optional



Note:
 All interior corners are rounded for safety.



Drains can be Located in Either of the Four Corners



Drawings are property of Fiberglass Unlimited, Inc.; Dimensions may change slightly to accommodate manufacturing.

BAPTISTRIES
 Model 15-A

FIBERGLASS UNLIMITED, INC.

Phone: 1-800-837-6211 Fax: 334-863-7975 Email: info@FiberG.com

183 Industrial Ave.
 Roanoke, Alabama 36274