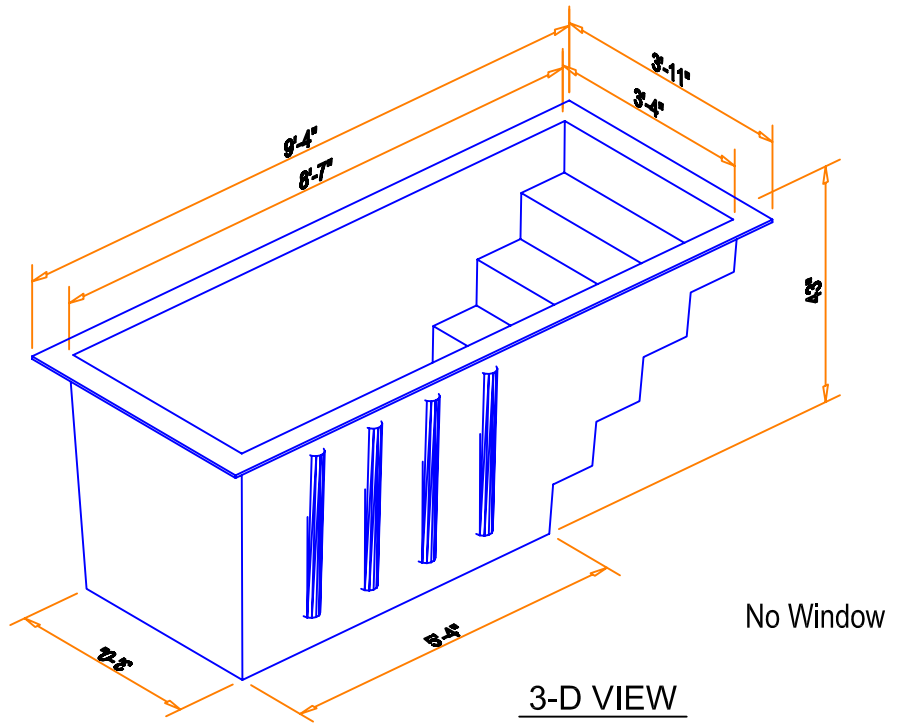
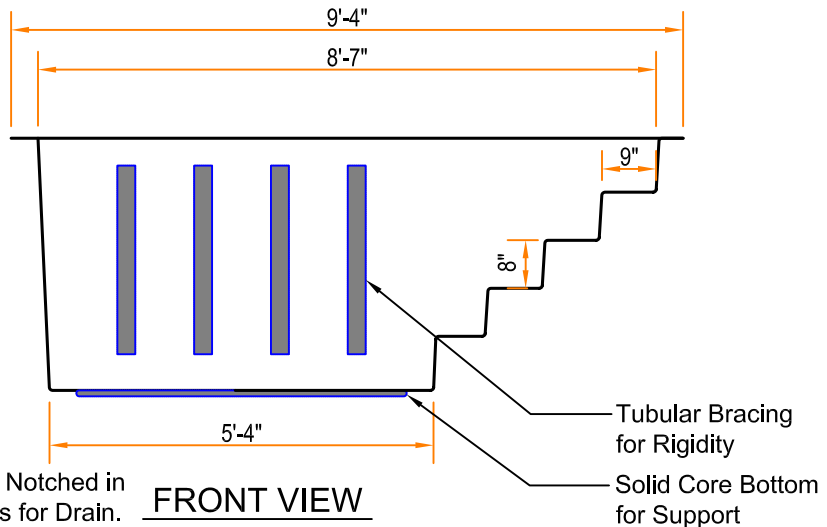
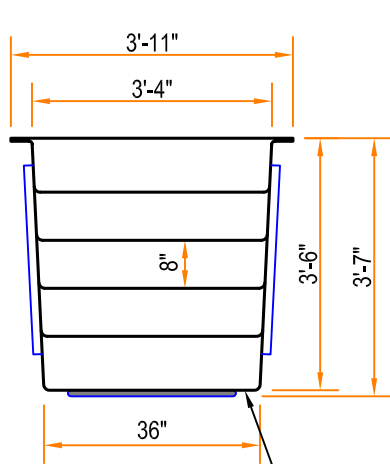


Baptistry Info.

Width: 3'-11"
 Length: 9'-4"
 Depth: 43"
 Water Capacity: 475 gal.
 Unit Weight: 240 lb. Dry
 Recommended Heater:
 PEB-B 5.5 kw / Af 2900 / AD 2900
 Available In Blue, White or Bone

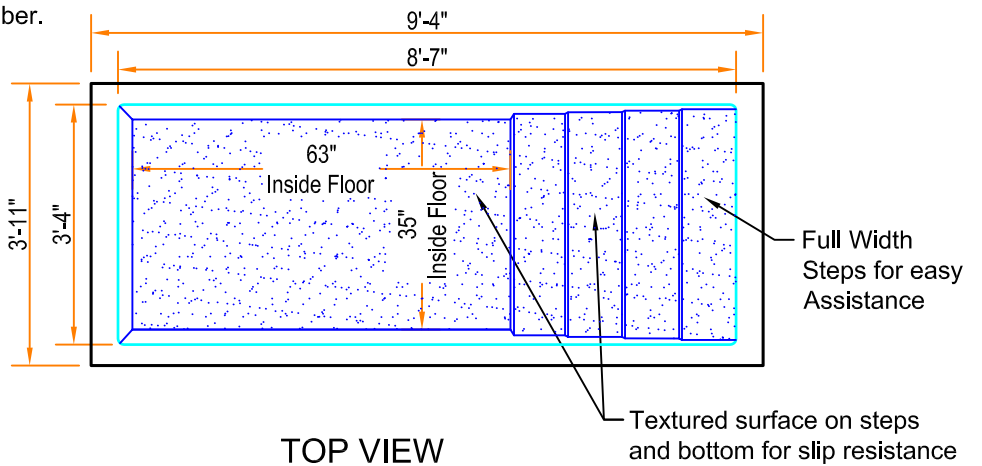


Note:
 All interior corners are rounded for safety.



Coring Area Notched in Four Corners for Drain. Drain Hole Drilled by Plumber.

Drains can be Located in Either of the Four Corners



Drawings are property of Fiberglass Unlimited, Inc.; Dimensions may change slightly to accommodate manufacturing.

BAPTISTRIES
 Model 11-B

FIBERGLASS UNLIMITED, INC.

Phone: 1-800-837-6211 Fax: 334-863-7975 Email: info@FiberG.com

183 Industrial Ave.
 Roanoke, Alabama 36274