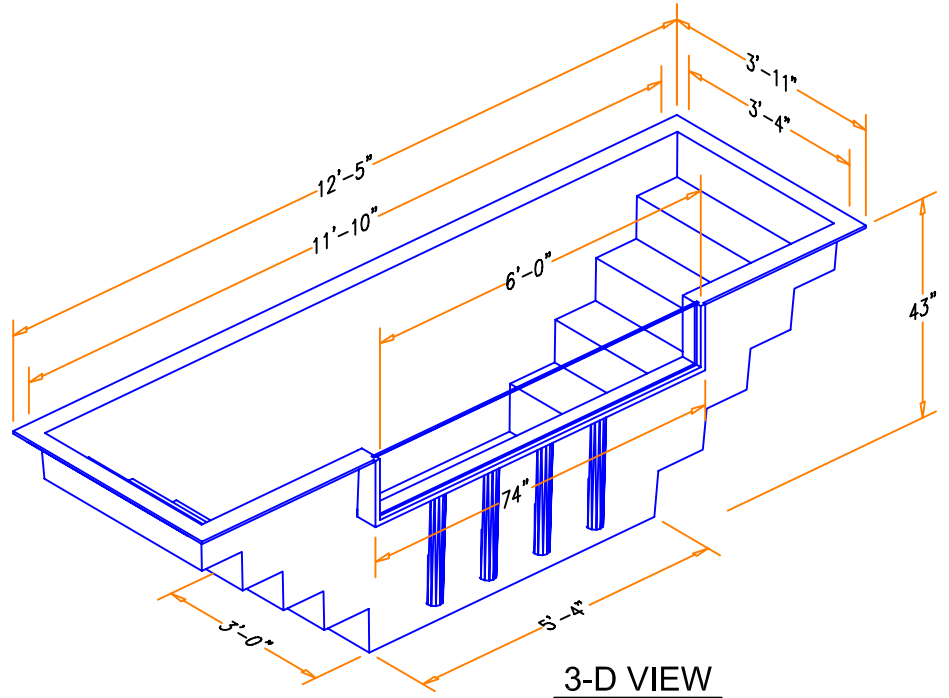


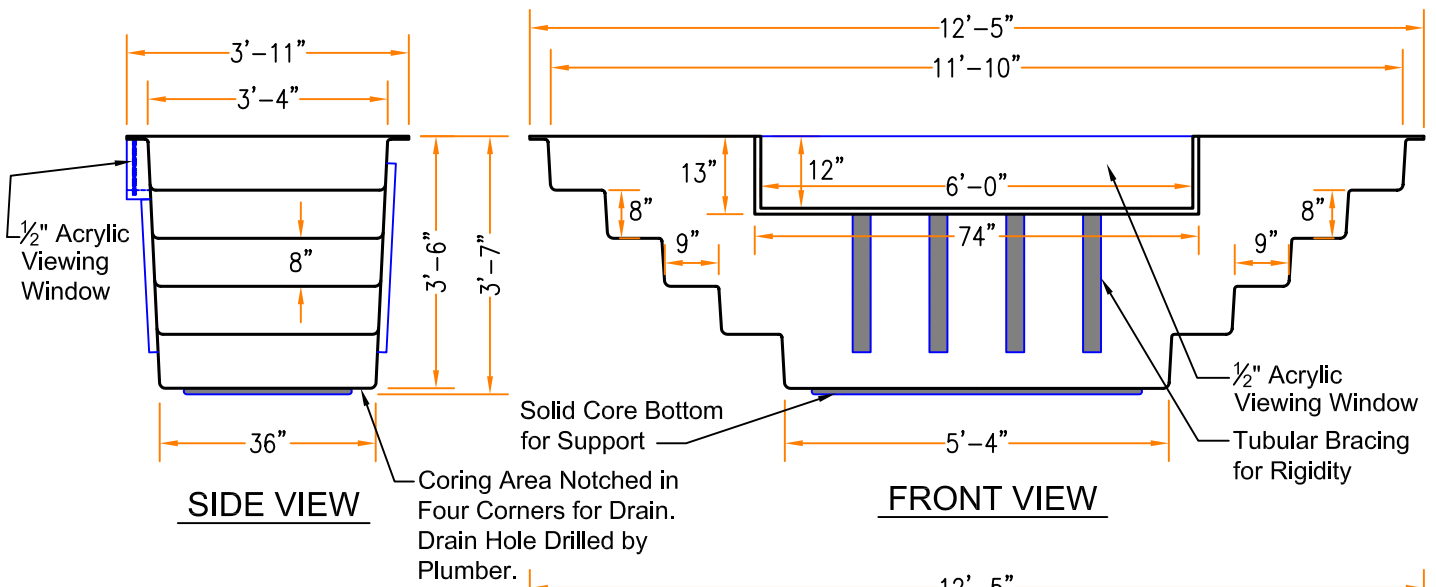
Baptistry Info.

Width: 3'-11"
 Length: 12'-5"
 Depth: 43"
 Water Capacity: 550 gal.
 Unit Weight: 280 lb. Dry
 Recommended Heater:
 PBH 10 kw / 750 EZ fill
 Available In Blue, White or Bone

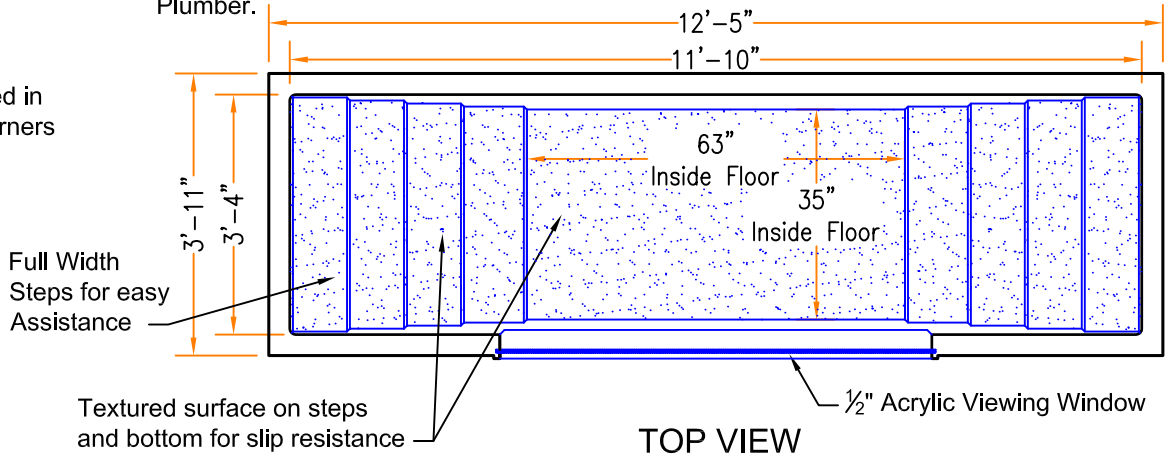
Window is Optional



Note:
 All interior corners are rounded for safety.



Drains can be Located in Either of the Four Corners



Drawings are property of Fiberglass Unlimited, Inc.; Dimensions may change slightly to accommodate manufacturing.

BAPTISTRIES
 Model 11-A

FIBERGLASS UNLIMITED, INC.

Phone: 1-800-837-6211 Fax: 334-863-7975 Email: info@FiberG.com

183 Industrial Ave.
 Roanoke, Alabama 36274