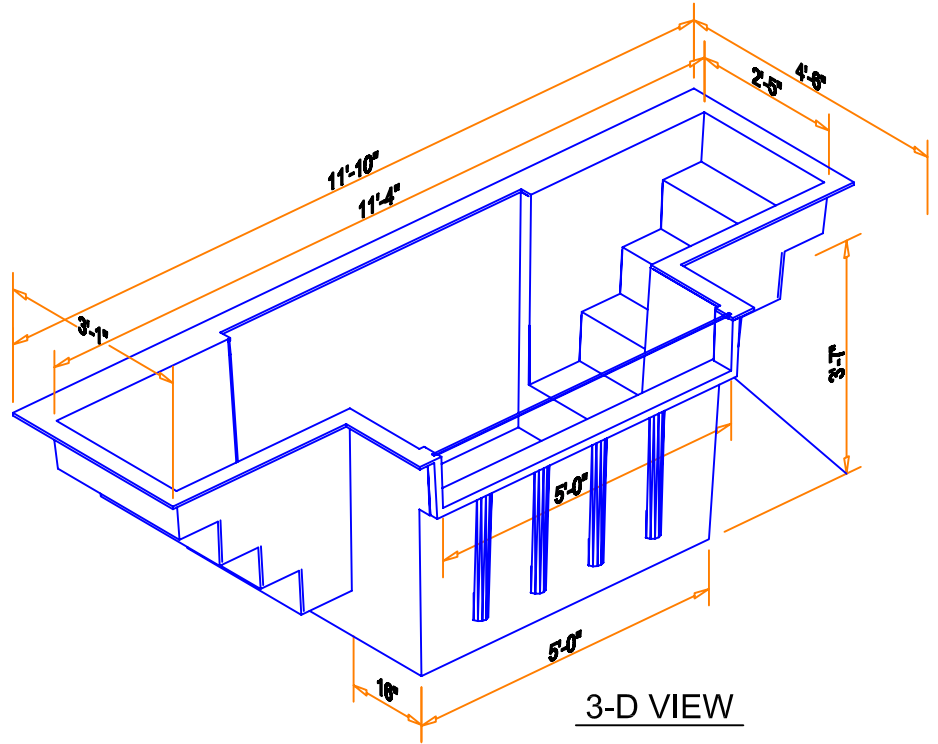


**Baptistry Info.**

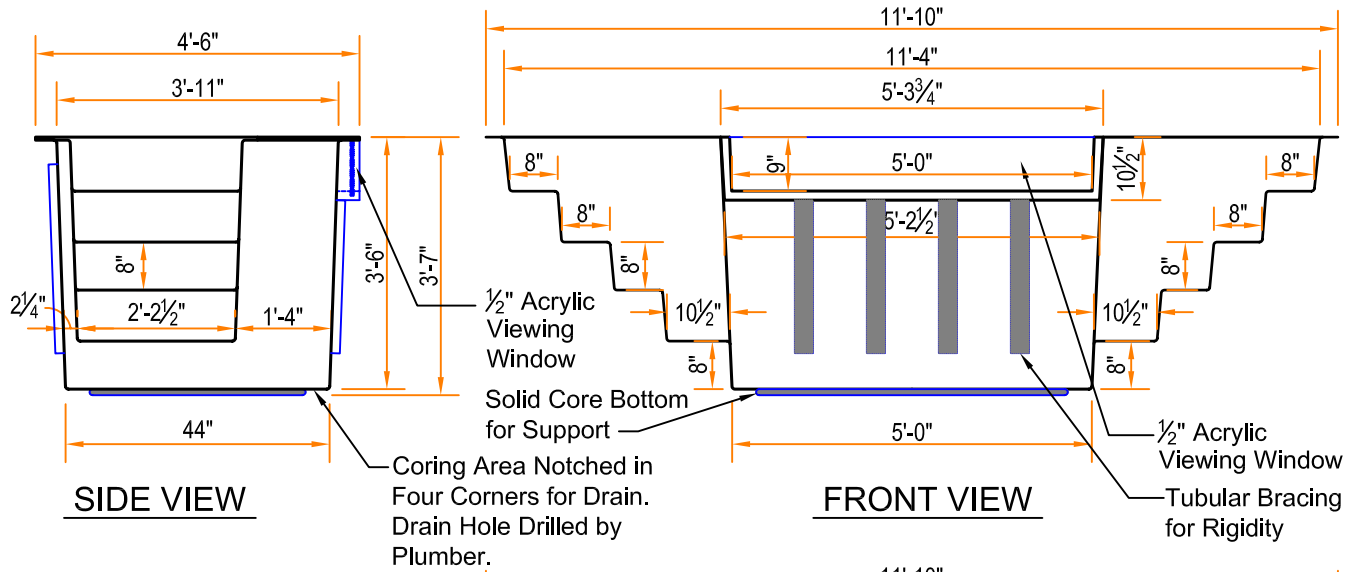
Width: 4'-6"  
 Length: 11'-10"  
 Depth: 3'-6" Inside  
 Water Capacity: 600 gal.  
 Unit Weight: 270 lb. Dry  
 Recommended Heater:  
 PEB-A 11 kw / Af 2900 / AD 2900  
 Available In Blue, White or Bone

\*\*\*Window is Optional\*\*\*



**3-D VIEW**

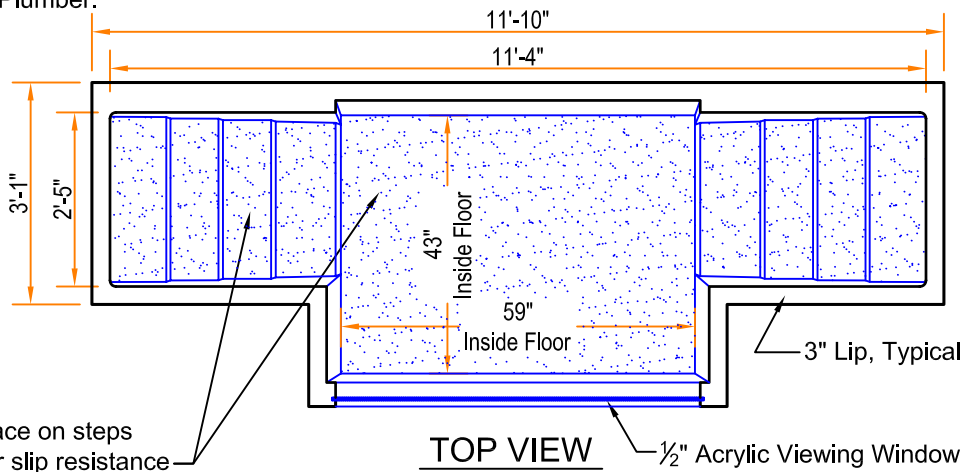
**Note:**  
 All interior corners are rounded for safety.



**SIDE VIEW**

**FRONT VIEW**

Drains can be Located in Either of the Four Corners



**TOP VIEW**

Drawings are property of Fiberglass Unlimited, Inc.; Dimensions may change slightly to accommodate manufacturing.

**BAPTISTRIES**  
 Model 10-A

**FIBERGLASS UNLIMITED, INC.**

Phone: 1-800-837-6211 Fax: 334-863-7975 Email: info@FiberG.com

183 Industrial Ave.  
 Roanoke, Alabama 36274